

Moved by Bikes Shortboard Rack



Congratulations on your purchase of the best shortboard rack on the planet! Moved By Bikes Shortboard Racks feature our unique tool free quick release on the bars, and the seatpost mounting makes them super easy to install on virtually any bike.

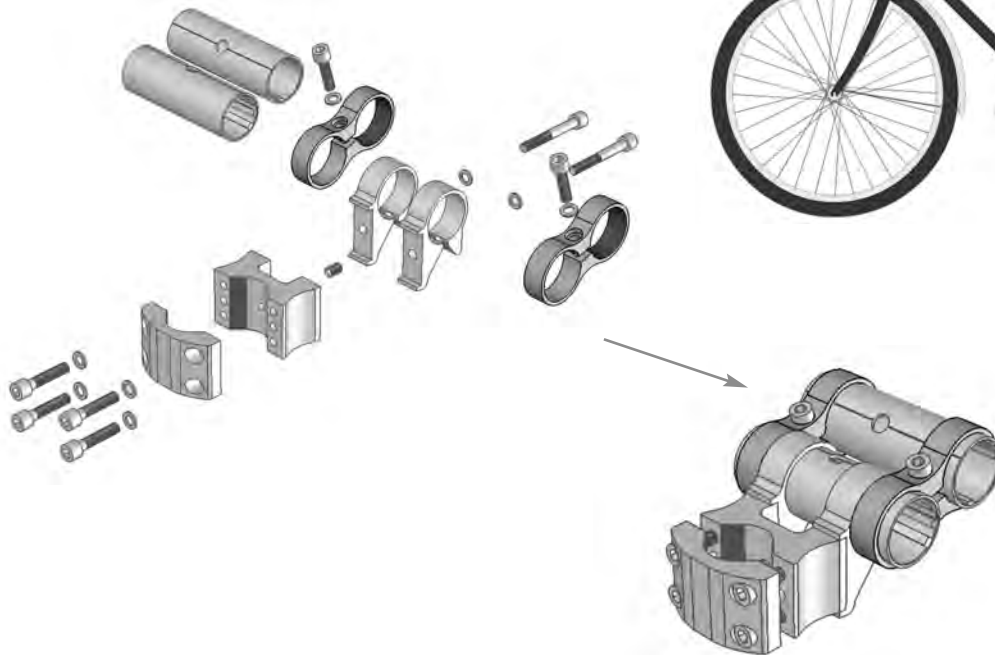
USE THIS PRODUCT SAFELY

Riding a bicycle is an inherently dangerous activity. Carrying surfboards further increases your risk of injury and should be done with the greatest of care. Be sure that you maintain your bicycle and check bolts on the racks as well, as they may loosen up over time. Always ride under control, be alert, and follow the rules of the road. The racks are not intended for aggressive riding of any kind.

QUICK AND EASY MOUNTING TO YOUR BIKE

This document provides quick and easy installation instructions. The racks mount using a seatpost clamp that will fit virtually any bicycle seatpost or seat tube frame member. We do not recommend installing on carbon fiber or extremely lightweight aluminum racing seatposts as it may crush them.

MOUNT COMPONENTS



TOOLS

Installation requires a 5mm and 3mm allen key. As a best practice, we recommend application of anti-seize or grease to all hardware during installation to avoid galling of the hardware.



INSTALL THE SEATPOST CLAMP ON YOUR BICYCLE

The rack is based on a seatpost clamp that securely clamps to your bicycle's seatpost with a 4 bolt clamp. A set screw provides additional resistance to twisting of the clamp on your seatpost if desired (particularly handy for chrome plated steel seatposts). The angles of the bars are fully adjustable to suit your bike and board.



1. Loosen and remove the four 5mm bolts on the seatpost clamp.



2. We recommend applying anti-sieze or grease to all bolt threads.



3. Place the clamp around the post and reinstall/tighten the bolts.



4. Tighten the set screw on the back of the clamp to further prevent rotation of the mount on your post.



5. Use the rear facing mounted tube bolts to adjust the angle of the mounted tube closest to the seat post.



6. Use the twin tube clamp bolts to adjust the angle of the twin tube clamp itself as well as the rear mounted tube.

ASSEMBLE THE BARS AND INSTALL THEM INTO THE MOUNTS

The rack bars come in the box in two pieces. Assemble the U shaped lower bar into the foam covered end of the L-shaped upper bar. There are 5 height settings that the pins can be aligned with. In the beginning, we recommend starting with the middle adjustment hole. To use the top two holes, you will need to remove some foam from the lower bar. Install the rack bars into the mounted tubes by aligning the splines and sliding them into the mounts. Slide them in until the push button locks in the hole in the mounted tube. That's all there is to it, you're ready to ride.



7. Assemble the bars and set them to the desired height.



8. Align the spline features and slide the bars into the mounted tubes until the push-button clicks into place.

LOADING YOUR BOARD

With the bars installed, you are ready to drop your board in and head to the beach! If you are going far, you may want to find straps to secure your board.

